

MLT RANGE *NEW AG*
Agricultural telehandlers



Handling your world

Founded over 60 years ago by the Braud family, the Manitou Group now operates worldwide. A world leader in rough-terrain material handling, the Group designs, manufactures, distributes and services equipment for construction, agriculture and industries.

The Group's product ranges include: rough-terrain fixed, rotating and heavy-load telehandlers; rough-terrain, semi-industrial and industrial masted forklift trucks; wheel or track skid-steer loaders; articulate loaders; access platforms; truck-mounted forklifts; warehousing equipment; and attachments.

Through its iconic brands – Manitou, Gehl and Mustang – and its worldwide network of 1,500 dealers, the Group offers the best solutions to create optimum value for its customers.

With its registered office in France, in 2017 the group recorded revenue of 1.6 billion Euros in 141 countries, and it employs 3,900 people all committed to delivering customer satisfaction.



1958

Marcel Braud conceives the idea of the Manitou truck.

1972

The Group enters foreign markets.

Sales partnership agreement signed with Toyota for exclusive distribution of Toyota industrial forklift trucks in France.

1981

Launch of first Manitou telehandler.

1984

Manitou listed on the stock exchange.

1993

The first MRT rotating telehandlers are sold.

1995

Launch of first range of access platforms.

1996

ISO 9001 certification obtained.

1998

Marcel Braud becomes Chairman of the Supervisory Board.

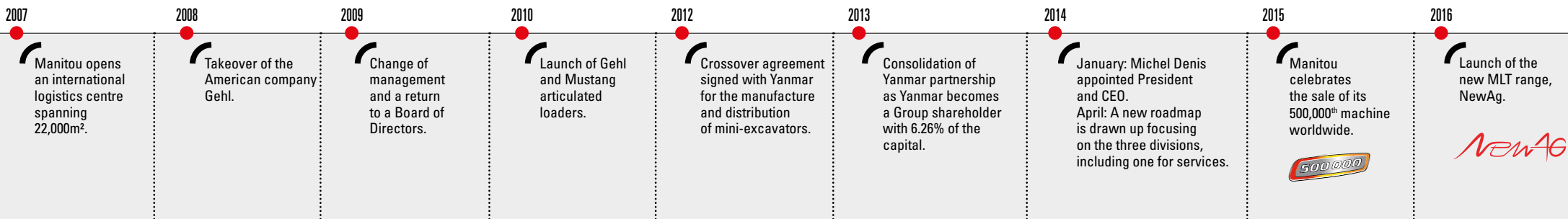
2006

Manitou passes the 1 billion Euro revenue milestone.

3 brands
distributed by
1,500 dealers
in 141 countries



- 26 subsidiaries
- 11 production facilities
- 3,900 employees worldwide
- 65% of the share capital held by the founding families (as of 31/11/2016)
- 80% of revenue comes from foreign markets
- 1,6 billion Euros of revenue in 2017







CONTENTS
NewAg

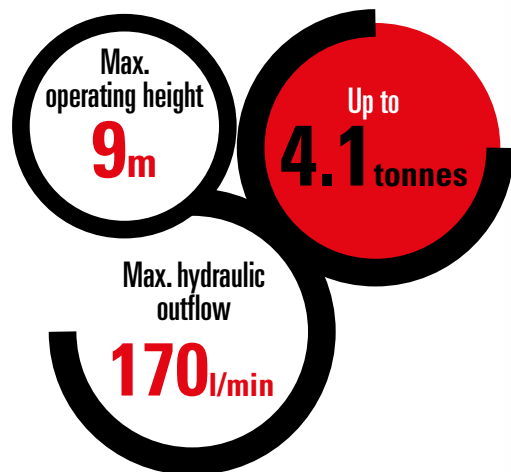
Panoramic visibility	10
Manitou design	14
Sufficient power	22
Efficient cooling	24
Varied transmissions	26
Manoeuvrable on all terrains	28
Designed to last	30
Save time	32
Make your life easier	38
MLT NewAg range	42
Selection of attachments	50
Range of coupling hooks	52
Manitou is here to help	56
The REDUCE program	58

NewAg

Your future, our vision.

The new range of Manitou agricultural telehandlers, NewAg, was designed to assist in your everyday work and to meet with the needs that you have expressed to our network of dealers at trade shows, over the website and on the Manitou social networks.

Because your profession is demanding and essential, the NewAg range focuses on **comfort, performance** and **profitability**. Discover all the developments and technological choices that help improve your profitability every day.





- Wide-view windscreen
- Optimal lighting: standard working lights and LED + option
- Rear-view mirror with adjustable support
- Cab access with an "Easy step"
- Full-comfort cab: Harmony or Vision* screen, your choice of position for "DSB" buttons, soundproof cab, a number of storage compartments, and more.
- Joystick Switch and Move (JSM®) on suspended armrest
- Engine power: 101, 116, 129 or 136hp
- Emission standards Stage IV / Final Tier 4
- Automatic radiator dust removal system*
- Several types of transmission*: torque converter (with Powershuttle or Powershift Plus gearbox), M-Varioshift or M-Vario Plus
- High-speed simultaneous movements thanks to distributor flow sharing*
- "Active CRC"[™] boom suspension
- Large range of original attachments approved by Manitou
- Easy Connect System (ECS)
- Several coupling hooks available
- Large choice of tyres
- Easy-access lubricators
- Easy MANAGER ready

* Depending on models and/or versions





COMFORT IS A PRIORITY

Comfort and productivity are closely linked. That is why our telehandlers provide an optimal level of ergonomics and all the features that you need to fully concentrate on your activity.

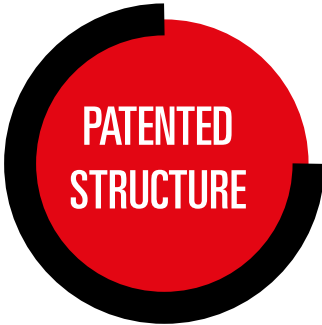


PANORAMIC VISIBILITY

Redesigned visibility

The models of the NewAg series feature exceptional visibility. The angle of each slat of the roof structure has been meticulously adjusted in relation to the lifting height to offer you a clear view of the load, regardless of its position.

The relatively low position of the boom articulation point and the one-piece windscreen offer you 360° visibility, guaranteeing your safety and the safety of those around you.



**PATENTED
STRUCTURE**



Additional* **front windscreen wiper**

An additional windscreen wiper offers a perfectly clear view of the front of the machine.



Electric defrosting* **rear view mirror**

The exterior right rear view mirror may be easily adjusted from the interior of the cab. The defrosting function makes it possible to work efficiently in all weather conditions.

* Standard or optional, according to trim level



LED+ option

Choosing the LED+ option is a way of guaranteeing high standards by offering optimal lighting all around the machine:

- 1 behind the cab on the left side,
- 2 in front of the machine on the right side,
- One at the rear of the machine, above the coupling hook.



Optimal lighting

A machine fitted out for night work:

- 4 work lamps on the cab (halogen or LED, depending on the level of finish),
- 1 roof light inside the cab,
- 2 boom-mounted LED worklights (optional).
- 2 LED headlights (optional)

Cab ventilation

Even in dusty conditions,
you'll breathe easily thanks to:

- adjustable air shafts,
- and two cab filters.



MANITOU DESIGN DEDICATED TO YOUR WELL-BEING

You won't see the time go by in your machine!

Enjoy equipment perfectly suited to your needs: a cloth-covered seat, a steering column with adjustable height and depth, a sun visor, an electric window, a USB slot, a 12V socket, and more.

Because silence is a factor of well-being, we also consider cab soundproofing a major priority. If you get fed up with silence occasionally, you can always turn on the radio!

For additional comfort, your personal belongings may easily be stowed away in any of the many spacious storage compartments.





73
dB (A) *

Automotive standard
(same noise as a car
running at 100kph)

Tested in accordance with the standard NF EN 12053
* Average noise level in the MLT NewAg cab



Easy-access cab

The access to the driving station has been entirely redesigned. This model offers cab access via a proper set of steps. The non-skid step and large handles on the telehandler column make it even easier to climb up and down.





Clear, modular dashboard

Behind the wheel of the NewAg, all the controls are within reach and are clearly identified with symbols and colour codes. And because everyone has their own way of doing things, you can choose the position of your "DSB" buttons: an essential time-saver that enables you to concentrate on the work at hand!

Two screens Two styles

Whatever trim level you choose, the cab screen indicates the maintenance frequency, moving speed, time of day, and other information useful in your daily work. More than 80 pop-up notifications are also available to assist you in your everyday work.





Manitou works hard to make your working day easier!

Exclusive to MANITOU, the JSM® on the suspended armrest allows you to operate in complete safety and without getting tired by carrying out every movement with one hand: raise and lower the boom, extend and retract the boom, scoop and lift the bucket, hydraulically move the attachments, and also reverse the machine. One hand stays on the wheel so you keep total control over your machine.

- ❶ FNR (Front Neutral Reverse) button
- ❷ Attachments hydraulic line
- ❸ Telescoping: extend or retract



Forward: the boom lowers
 Backward: the boom lifts
 Left: crowd
 Right: dump

Air conditioning with **automatic adjustment***

Select your ideal temperature and work with complete peace of mind.



* Standard or optional, according to the trim level



PERFORMANCE IS A PRIORITY

Because performance is one of your priorities, our agricultural telehandlers offer you features and a choice of transmissions that are well-adapted to your work setting.



ADAPTED POWER = CONTROLLED CONSUMPTION

reduced fuel
consumption of up to
-5%*



Engine power suited to your needs

Each telehandler comes with a consistent level of engine power, giving you the optimal machine/engine combination for maximum efficiency and minimal consumption.

The NewAg range is equipped with Deutz 4-cylinder engines with a cubic capacity of 3.6 litres. With power ranging from 101hp to 136hp according to the model, these engines are perfectly suited to your activities.

* Compared with our previous, Stage IIIB version





A cleaner engine

In compliance with the Stage IV (Final Tier 4), all NewAg models feature a DOC (Diesel Oxidation Catalyst) valve and an SCR (Selective Catalytic Reduction) catalytic converter with diesel exhaust fluid (AdBlue® and similar).





COOLING SUITED TO YOUR WORK SETTING

A **cooling system** engineered to your needs!

The NewAg cooling system was designed to enable long, comfortable workdays. Its electronic adjustment* system allows it to automatically set the speed and rotation of the fan according to the temperature of the engine. This means that you significantly reduce your fuel consumption.

* Option available on the MLT 733 with the automatic radiator dust removal system.





Automatic radiator dust removal system

The "automatic" radiator dust removal" system reverses the air flow every three minutes (for 15 seconds) regardless of the engine speed. Cooling is always optimal, especially in very dusty environments, notably in the presence of straw, chicken manure, and so on.

* Option available on the MLT 733





A VARIETY OF TRANSMISSIONS FOR A VARIETY OF TASKS

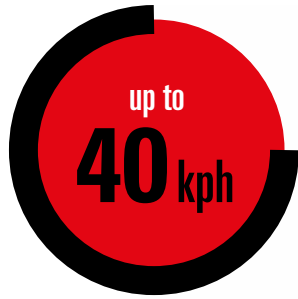
Torque converter with Powershuttle gearbox

Reliable, economic and effective, this transmission is particularly appropriate if you use the machine for tasks such as agricultural loading and off-road or on-road transport. Combined with a four-speed manual gearbox, it allows you to easily adapt your speed to the work at hand.

Torque converter with Powershift Plus gearbox

This transmission is very easy to use. You may change speeds using the clutch, manually (the +/- buttons on the JSM® let you move through the six speeds) or automatically. This means you can concentrate on the work at hand.





M-Varioshift

The M-Varioshift enables you to adapt the moving speed up to 40 km/hr and to adapt the tractive effort according to the task. Choose your speed with a simple movement directly from the JSM® (+/- buttons). Precision and tractive power: the M-Varioshift guarantees smooth handling.

M-Vario Plus

You can now reach up to 40 kph smoothly and without changing gear! This continuous variable transmission (CVT) consists of two hydraulic engines with radial pistons powered by a hydraulic pump. At low speeds, the two engines are active. The tractive power is therefore comparable to that of a torque converter transmission. At high speeds, only one engine is active. The maximum speed is reached with no loss of energy so that a high tractive power is retained. Fuel consumption is optimized and the sound pollution caused by the transmission is reduced. Combining precision and performance, M-Vario Plus is easy-to-use, even for the most inexperienced users.



Two operating* modes

- **"Comfort" mode**
For more precise operations. This mode is perfect for setting down loads.
- **"Dynamic" mode**
Your MLT will be more responsive during loading operations.

Inching* function

This function allows you to speed up the movements of the boom as you gradually reduce the telehandler's forward speed.

Eco* mode

The engine speed is optimized while guaranteeing high performances. Fuel consumption and sound pollution are greatly reduced.



* Standard equipment on the M-Varioshift and M-Vario Plus transmissions.

MANOEUVRABLE ON ALL TERRAINS

Differential differential

To help you get out of tricky situations, the equipment fitted as standard on the NewAg models includes a skid-reducing differential on the front axle.



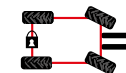
All-terrain handling

- Agricultural profile tires
- High ground clearance making it possible to easily clear obstacles
- Oscillating rear axle to maintain maximum grip and stability
- Four drive wheels
- Optimal turning radius
- Dimensions suitable for agricultural use with a varied range of heights and widths available

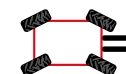


A choice of four steering modes

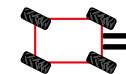
An ultra-manageable machine with four steering modes:



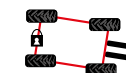
Two steering wheels
for road use



Four steering wheels
to manoeuvre through narrow spaces



Crab mode
for sideways approaches and tricky unloading manoeuvres



Mani-crab mode
for tasks such as silage making



"Active CRC" * **boom suspension**

This system absorbs any unexpected movements of the boom when you drive with or without a load. The components are put under less strain, your load is protected and driver comfort is ensured.

Our new "Active CRC" system operates regardless of the angle of the boom and is automatically enabled when driving at over 4 kph. At lower speeds, the feature is disabled and prioritises movement precision for easier, more accurate load handling.

* Standard or optional, according to the trim level.

DESIGNED TO LAST



1. A "double U" boom, welded at the point under the least amount of strain to resist intensive use
2. Hoses and distributor are protected under the boom
3. Crowd ram protected behind the boom head
4. Dana Spicer axles with epicyclic reduction gears
5. Steering cylinder in a raised position, protected from gravel splatter
6. Multiple-disk oil-bath brakes within axles
7. Possibility of changing the position of the rear view mirror at the back of the machine to avoid breakage risks
8. Monobloc chassis
9. Cab compliant with level 2 ROPS / FOPS standard





**YOU'RE GOING
TO HAVE TIME
ON YOUR HANDS**

**Simultaneous
movements***

The Flow Sharing distributor
guarantees simultaneous
movements for more efficient work.

104, 150, or 170 l/min

Combined with the JSM®, the hydraulic
pump of your MLT delivers a maximum
flow of 104, 150 or 170 l/min for quick,
precise movements.

* Option available on the MLT 630, MLT 730 and MLT 733.





Attachments may be changed **in seconds**

With the Manitou hook-up system, which has equipped our telehandler models for 35 years, you may change attachments within just a few seconds.

The ECS® (Easy Connect System) decompresses the hydraulic attachment line without turning off the engine, making it quick and easy to change your hydraulic attachments.



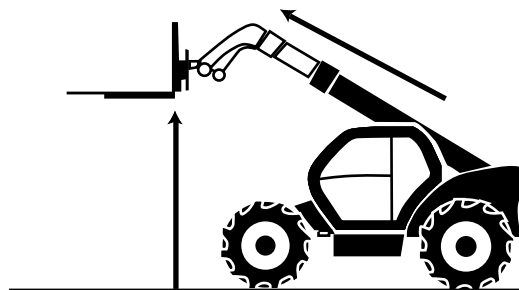
ECS



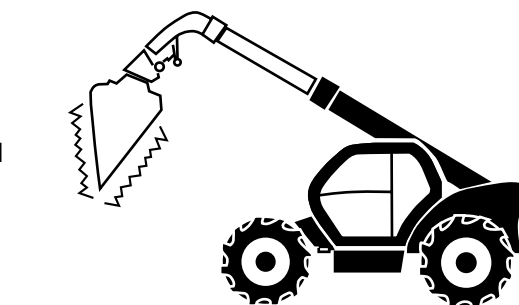
Intelligent Hydraulics* option

Three functions

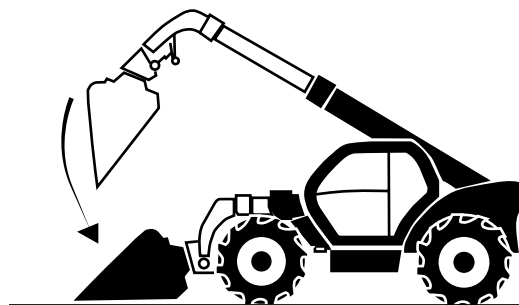
1 - **"Quick Lift"**: automatically allows two simultaneous movements (raising/lowering + extension/retraction) and facilitates stocking operations.



2 - **"Bucket Shaker"**: quickly empties the bucket without requiring the operator to make repetitive movements. Manure will not stay stuck to the bottom of the bucket.



3 - Automatic **"Return To Load"**: to easily return to a position (attachment and boom) pre-determined by the operator. This function is particularly useful for loading operations.



* Unavailable on the MLT 630, MLT 730 and MLT 733.





Regenerative Hydraulics* **option**

This system makes it possible to lower the boom, regardless of engine speed, using gravitational force. Save time on each operation and save on fuel.

Hydraulic locking **option**

The hydraulic locking of the carriage allows you to change and lock the attachment without leaving the machine.

* Unavailable on the MLT 630, MLT 730 and MLT 733.



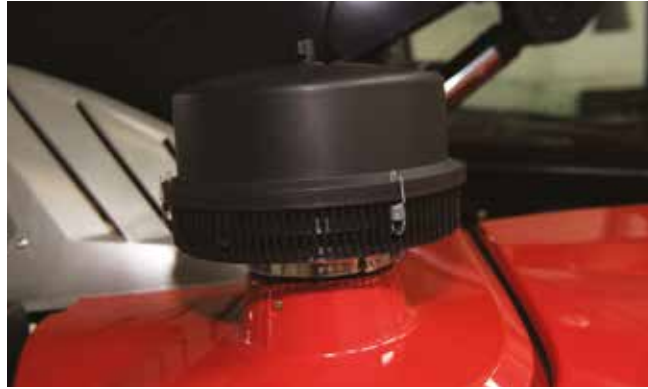


PROFITABILITY IS A PRIORITY

Every possible measure has been taken so that you can actively participate in the profitability of your operations by optimizing your time and the cost of using your telehandler, including simple access to the machine's main parts, optimized maintenance intervals and a connected machine.



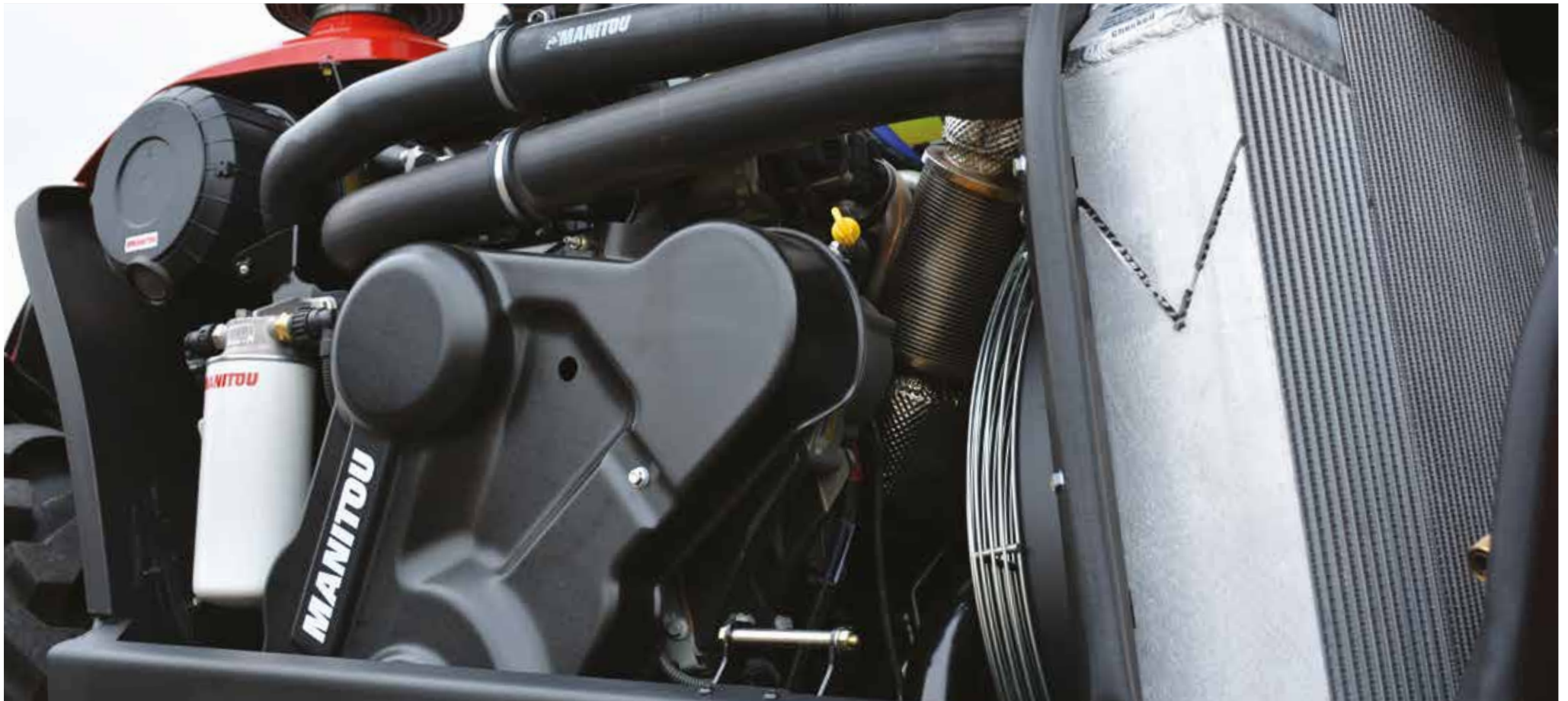
OUR PRIORITY: MAKING YOUR LIFE EASIER



Easy access to the principal engine parts

Because you have no time to lose, we have engineered the engine compartment to make maintenance easy:

- Wide engine hood opening
- Possibility of "blowing" on each side of the radiator
- Hatch (beneath the radiator)
- Easy access to the different filters, engine oil dipstick, etc.





Easy, safe access to the principal tanks

The fuel, urea (AdBlue® and similar) and hydraulic oil tanks are easily accessible, in distinct locations, to prevent errors.

The brake fluid and windscreen washing liquid tanks are accessible within a closed compartment outside the cab to keep the interior clean.

Intelligent Maintenance

The dashboard screen displays the maintenance and engine diagnostic intervals.

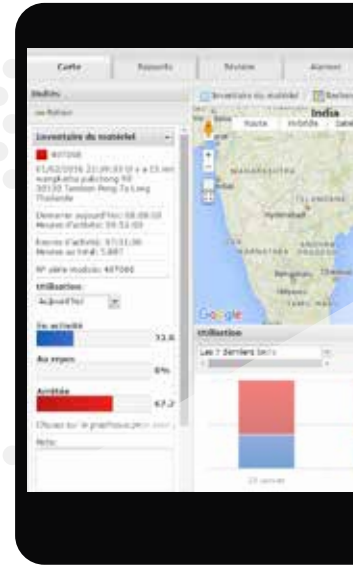
Optimized maintenance intervals

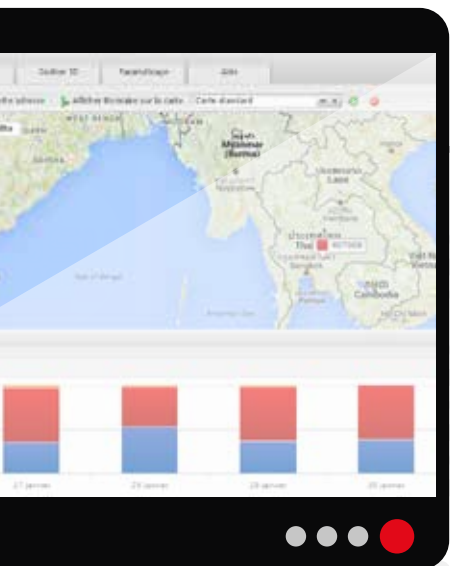
Changing of the hydraulic oil every 2,000 hours
(instead of every 1,000 hours as with previous models).
Replacing of the air filter every 1,000 hours
(instead of every 500 hours as with previous models).



A CONNECTED MACHINE

Easy MANAGER is a simple and flexible tool to maximize the operational monitoring of your equipment. The option is available on ordering or on an after-sales basis as all our new machines are adapted to accommodate the tool.





Management

View the equipment's location and use in real time.

Increase your machine's availability by allowing your dealer to carry out remote diagnostics.

Control your budget by ensuring optimum maintenance of your machine. This will maximize its resale value.

Optimization

Entrust the maintenance of your equipment to your dealer, who can access the use data and arrange maintenance operations for when they suit you.

Analyse your equipment's performances using the dashboard and activity reports to optimize its use and your fuel consumption.

Safety

Protect your equipment against theft and fraudulent use by setting up warnings.

Control access to your equipment to authenticate users and ensure their safety.



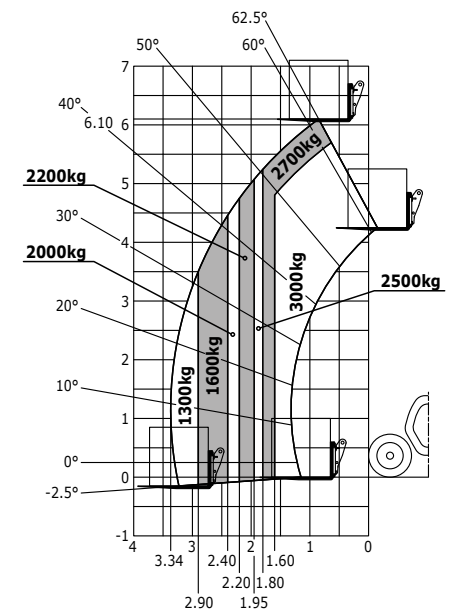
TO EACH HIS OWN... STYLE

Choose from a wide range of telehandlers with a capacity ranging from 3 to 4.1 tonnes and a lifting height ranging from 6 to 9 metres. You also have the choice among various options and finish levels to best suit your needs.



**MLT 630
105**

Transmission*	H/C/CVT	C
Engine power	hp (kW)	101 (74.4)
Engine brand	-	Deutz
Max. capacity	kg	3000
Max. lifting height	m	6.10
Max. offset	m	3.34
Dimensions without attachments (LxWxH)	m	4.78x2.13x2.37
Hydraulics	l/min	104
Unladen weight with forks	kg	7000
Speed	kph	40



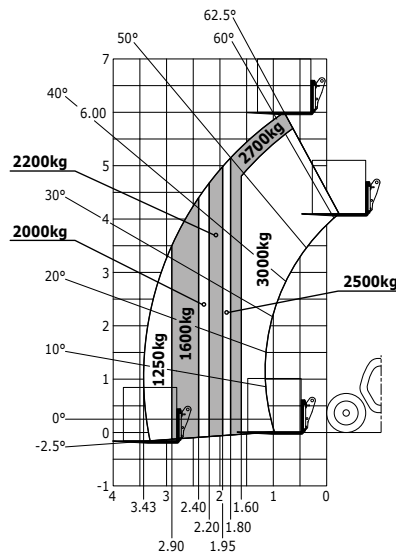
All-terrain load chart (EN 1459 B)

* H: Hydrostatic
C: Torque converter
CVT: Continuous Variable Transmission



**MLT 630
105 V CP**

Transmission*	H/C/CVT	H
Engine power	hp (kW)	101 (74.4)
Engine brand	-	Deutz
Max. capacity	kg	3000
Max. lifting height	m	6.00
Max. offset	m	3.43
Dimensions without attachments (LxWxH)	m	4.78x2.06x2.14
Hydraulics	l/min	104
Unladen weight with forks	kg	6760
Speed	kph	38

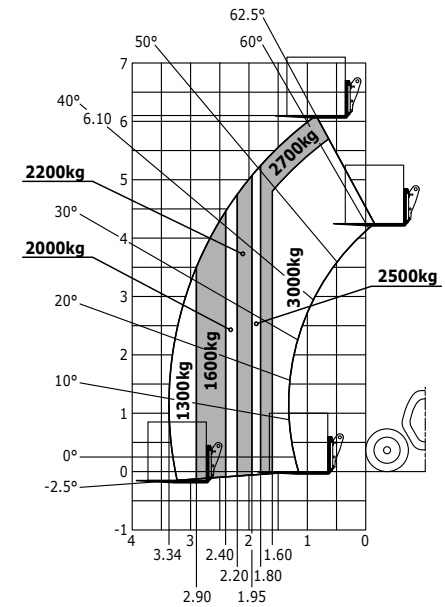


All-terrain load chart (EN 1459 B)



**MLT 630
105 V**

Transmission*	H/C/CVT	H
Engine power	hp (kW)	101 (74.4)
Engine brand	-	Deutz
Max. capacity	kg	3000
Max. lifting height	m	6.10
Max. offset	m	3.34
Dimensions without attachments (LxWxH)	m	4.78x2.13x2.37
Hydraulics	l/min	104
Unladen weight with forks	kg	6920
Speed	kph	40



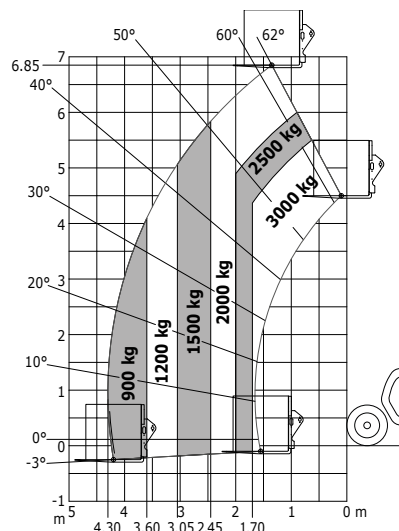
All-terrain load chart (EN 1459 B)

* H: Hydrostatic
C: Torque converter
CVT: Continuous Variable Transmission



**MLT 730
115 V CP**

Transmission*	H/C/CVT	H
Engine power	hp (kW)	116 (85)
Engine brand	-	Deutz
Max. capacity	kg	3000
Max. lifting height	m	6.85
Max. offset	m	4.30
Dimensions without attachments (LxWxH)	m	5.08x2.06x2.14
Hydraulics	l/min	104
Unladen weight with forks	kg	6910
Speed	kph	38

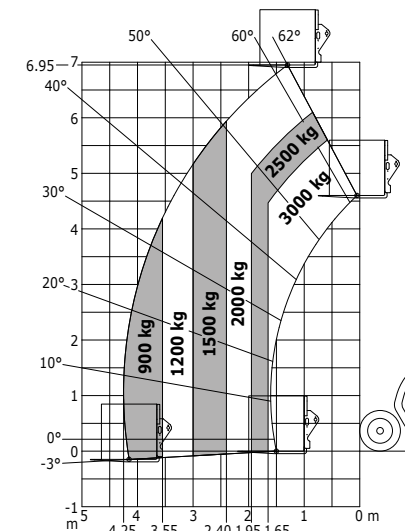


All-terrain load chart (EN 1459 B)



**MLT 730
115 V**

Transmission*	H/C/CVT	H
Engine power	hp (kW)	116 (85)
Engine brand	-	Deutz
Max. capacity	kg	3000
Max. lifting height	m	6.95
Max. offset	m	4.25
Dimensions without attachments (LxWxH)	m	5.08x2.13x2.37
Hydraulics	l/min	104
Unladen weight with forks	kg	7070
Speed	kph	40



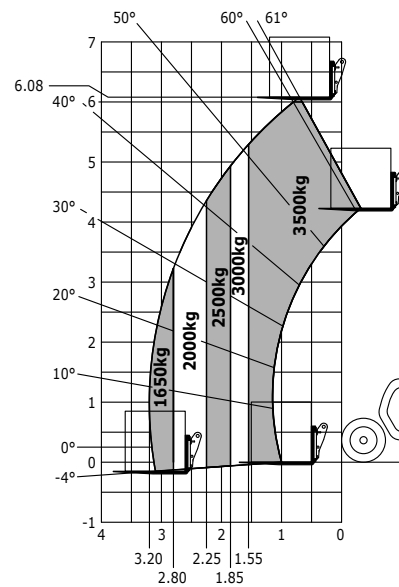
All-terrain load chart (EN 1459 B)

* H: Hydrostatic
C: Torque converter
CVT: Continuous Variable Transmission



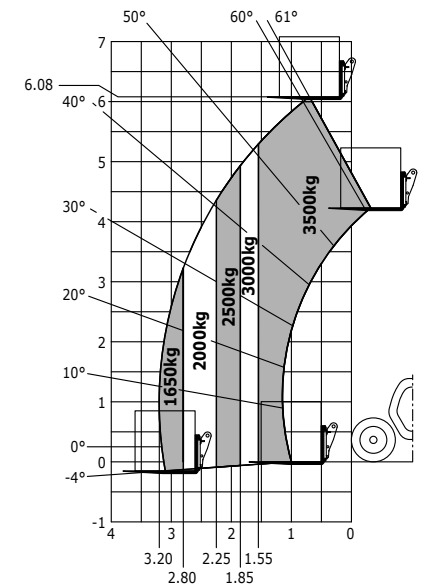
**MLT 635
130 PS+**

Transmission*	H/C/CVT	C
Engine power	hp (kW)	129 (95)
Engine brand	-	Deutz
Max. capacity	kg	3 500
Max. lifting height	m	6.08
Max. offset	m	3.20
Dimensions without attachments (LxWxH)	m	4.66x2.39x2.38
Hydraulics	l/min	150
Unladen weight with forks	kg	7 405
Speed	kph	40



**MLT 635
140 V+**

Transmission*	H/C/CVT	CVT
Engine power	hp (kW)	136 (100)
Engine brand	-	Deutz
Max. capacity	kg	3 500
Max. lifting height	m	6.08
Max. offset	m	3.20
Dimensions without attachments (LxWxH)	m	4.66x2.39x2.38
Hydraulics	l/min	170
Unladen weight with forks	kg	7 405
Speed	kph	40



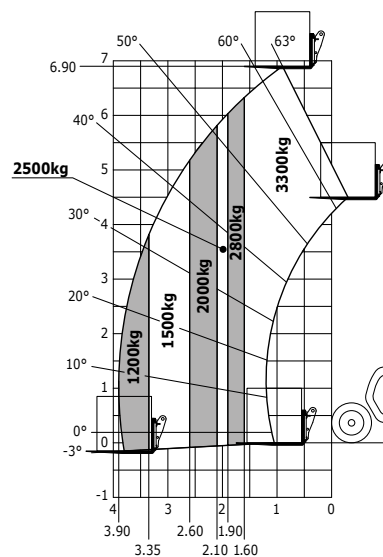
All-terrain load chart (EN 1459 B)

* H: Hydrostatic
C: Torque converter
CVT: Continuous Variable Transmission



**MLT 733
115**

Transmission*	H/C/CVT	C
Engine power	ch (kW)	115 (86)
Engine brand	-	Deutz
Max. capacity	kg	3 300
Max. lifting height	m	6.90
Max. offset	m	3.90
Dimensions without attachments (LxWxH)	m	4.85x2.39x2.38 4.78x2.39x2.38**
Hydraulics	l/min	104 / 150***
Unladen weight with forks	kg	7 015
Speed	km/h	32

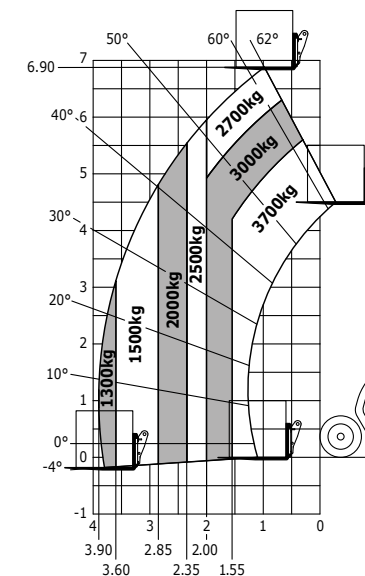


All-terrain load chart (EN 1459 B)



**MLT 737
130 PS+**

Transmission*	H/C/CVT	C
Engine power	hp (kW)	129 (95)
Engine brand	-	Deutz
Max. capacity	kg	3 700
Max. lifting height	m	6.90
Max. offset	m	3.90
Dimensions without attachments (LxWxH)	m	4.97x2.39x2.38
Hydraulics	l/min	150
Unladen weight with forks	kg	7 700
Speed	kph	40



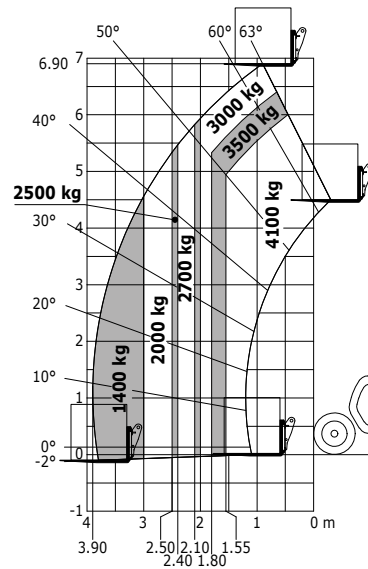
All-terrain load chart (EN 1459 B)

* H: Hydrostatic
 C: Torque converter
 CVT: Continuous Variable Transmission
 ** Without tractor homologation
 *** With pump load sensing



MLT 741 140 V+

Transmission*	H/C/CVT	CVT
Engine power	hp (kW)	136 (100)
Engine brand	-	Deutz
Max. capacity	kg	4100
Max. lifting height	m	6.90
Max. offset	m	3.90
Dimensions without attachments (LxWxH)	m	4.97x2.39x2.38
Hydraulics	l/min	170
Unladen weight with forks	kg	7850
Speed	kph	40

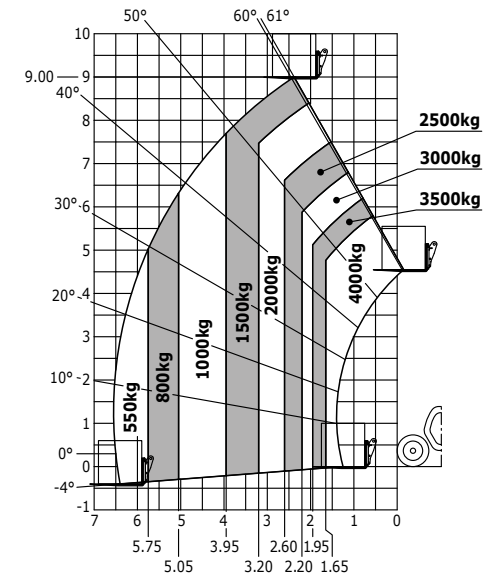


All-terrain load chart (EN 1459 B)



MLT 940 140 V+

Transmission*	H/C/CVT	CVT
Engine power	hp (kW)	136 (100)
Engine brand	-	Deutz
Max. capacity	kg	4000
Max. lifting height	m	9.00
Max. offset	m	6.50
Dimensions without attachments (LxWxH)	m	5.12x2.39x2.38
Hydraulics	l/min	170
Unladen weight with forks	kg	8325
Speed	kph	40



All-terrain load chart (EN 1459 B)

* H: Hydrostatic
C: Torque converter
CVT: Continuous Variable Transmission

3 finish levels available



s: standard / o: option / - : not available

	MLT 630 V CP			MLT 630 V			MLT 630			MLT 730 V CP			MLT 730 V			MLT 635 PS+			MLT 635 V+			MLT 733		MLT 737 PS+			MLT 741 V+			MLT 940 V+						
General																																				
"Active CRC" boom suspension	o	o	s	o	o	s	o	o	s	o	o	s	o	o	s	o	o	s	o	o	s	o	o	o	o	o	s	o	o	s	o	o	s	o	o	s
Hand throttle	o	o	s	o	o	s	o	o	s	o	o	s	o	o	s	o	o	s	s	s	s	-	-	o	o	s	s	s	s	s	s	s	s	s	s	
Automatic wheel alignment	o	o	s	o	o	s	o	o	s	o	o	s	o	o	s	o	o	s	o	o	s	-	-	o	o	s	o	o	s	o	o	s	o	o	s	
Additional fuel tank (42 l)	o	s	s	o	s	s	o	s	s	o	s	s	o	s	s	-	-	-	-	-	-	-	-	-	-	-	-	-	-	-	-	-	-	-	-	
Additional fuel tank (25 l)	-	-	-	-	-	-	-	-	-	-	-	-	-	-	-	o	o	o	o	o	o	o	o	o	o	o	o	o	o	o	o	o	o	o	o	
Manual rotating towing hitch	s	s	s	s	s	s	s	s	s	s	s	s	s	s	s	s	s	s	s	s	s	o/s	o/s	s	s	s	s	s	s	s	s	s	s	s		
Automatic rotating towing hitch	o	o	o	o	o	o	o	o	o	o	o	o	o	o	o	o	o	o	o	o	o	o	o	o	o	o	o	o	o	o	o	o	o	o	o	
Ladder hitch	o	o	o	o	o	o	o	o	o	o	o	o	o	o	o	o	o	o	o	o	o	o	o	o	o	o	o	o	o	o	o	o	o	o	o	
Hydraulic "pick-up hitch"	o	o	o	o	o	o	o	o	o	o	o	o	o	o	o	o	o	o	o	o	o	o	o	o	o	o	o	o	o	o	o	o	o	o	o	
Comfort																																				
Grammer mechanical cloth-covered seat	s	-	-	s	-	-	s	-	-	s	-	-	s	-	-	s	-	-	s	-	-	s	-	s	-	s	-	-	s	-	-	s	-	-		
Grammer air suspension cloth-covered seat	o	s	-	o	s	-	o	s	-	o	s	-	o	s	-	o	s	-	o	s	-	o	s	o	s	-	o	s	-	o	s	-	o	s	-	
Grammer low-frequency air suspension cloth-covered seat	o	o	s	o	o	s	o	o	s	o	o	s	o	o	s	o	o	s	o	o	s	o	o	o	o	o	o	o	o	o	o	o	o	o	o	o
Car radio tuner (50 W)	s	-	-	s	-	-	s	-	-	s	-	-	s	-	-	s	-	-	s	-	-	s	-	s	-	s	-	-	s	-	-	s	-	-		
Bluetooth USB car radio with integrated microphone (100 W)	o	s	-	o	s	-	o	s	-	o	s	-	o	s	-	o	s	-	o	s	-	o	s	o	s	-	o	s	-	o	s	-	o	s	-	
Bluetooth USB car radio with extra microphone (100 W)	o	o	s	o	o	s	o	o	s	o	o	s	o	o	s	o	o	s	o	o	s	o	o	o	o	o	o	o	o	o	o	o	o	o	o	
Manual air conditioning	o	s	-	o	s	-	o	s	-	o	s	-	o	s	-	o	s	-	o	s	-	o	s	o	s	-	o	s	-	o	s	-	o	s	-	
Air conditioning with automatic adjustment	o	o	s	o	o	s	o	o	s	o	o	s	o	o	s	o	o	s	o	o	s	o	o	o	o	o	o	o	o	o	o	o	o	o	o	
Harmony screen	s	s	-	s	s	-	s	s	-	s	s	-	s	s	-	s	s	-	s	s	-	s	s	s	s	-	s	s	-	s	s	-	s	s	-	
Vision screen (7")	o	o	s	o	o	s	o	o	s	o	o	s	o	o	s	o	o	s	o	o	s	-	-	o	o	s	o	o	s	o	o	s	o	o	s	
Electricity / Safety																																				
Front and rear work lights (4 or 2 in front + 2 in back)	s	-	-	s	-	-	s	-	-	s	-	-	s	-	-	s	-	-	s	-	-	s	-	s	-	s	-	-	s	-	-	s	-	-		
Front and rear LED work lights (4: 2 in front + 2 in back)	o	s	s	o	s	s	o	s	s	o	s	s	o	s	s	o	s	s	o	s	s	o	s	o	s	o	s	s	o	s	s	o	s	s		
Extra front wiper	o	s	s	o	s	s	o	s	s	o	s	s	o	s	s	o	s	s	o	s	s	o	s	o	s	o	s	s	o	s	s	o	s	s		
Electric mirror with de-icing	o	o	s	o	o	s	o	o	s	o	o	s	o	o	s	o	o	s	o	o	s	-	-	o	o	s	o	o	s	o	o	s	o	o	s	
LED + (4 extra work lights)	o	o	o	o	o	o	o	o	o	o	o	o	o	o	o	o	o	o	o	o	o	-	-	o	o	o	o	o	o	o	o	o	o	o		
Boom-mounted LED work lights (x2)	o	o	o	o	o	o	o	o	o	o	o	o	o	o	o	o	o	o	o	o	o	o	o	o	o	o	o	o	o	o	o	o	o	o	o	
Flat grid on the roof (-2 cm overall height)	o	o	o	-	-	-	-	-	-	o	o	o	-	-	-	-	-	-	-	-	-	-	-	-	-	-	-	-	-	-	-	-	-	-		
Hydraulics																																				
Easy Connect System (ECS)	s	s	s	s	s	s	s	s	s	s	s	s	s	s	s	s	s	s	s	s	s	s	s	s	s	s	s	s	s	s	s	s	s	s	s	
Continuous flow hydraulics	o	o	s	o	o	s	o	o	s	o	o	s	o	o	s	o	o	s	o	o	s	o	o	o	o	o	o	o	o	o	o	o	o	o	o	
Attachment hydraulic locking	o	o	o	o	o	o	o	o	o	o	o	o	o	o	o	o	o	o	o	o	o	o	o	o	o	o	o	o	o	o	o	o	o	o	o	
Return pipe to hydraulic oil tank	o	o	o	o	o	o	o	o	o	o	o	o	o	o	o	o	o	o	o	o	o	o	o	o	o	o	o	o	o	o	o	o	o	o	o	
Electrovalve for 2 hydraulic functions in boom head	o	o	o	o	o	o	o	o	o	o	o	o	o	o	o	o	o	o	o	o	o	o	o	o	o	o	o	o	o	o	o	o	o	o	o	
Hydraulic trailer braking	s	s	s	s	s	s	s	s	s	s	s	s	s	s	s	s	s	s	s	s	s	s	s	s	o/s	o/s	s	s	s	s	s	s	s	s		
Regenerative Hydraulics	-	-	-	-	-	-	-	-	-	-	-	-	-	-	-	o	o	o	o	s	s	-	-	o	o	o	o	s	s	o	s	s	o	s	s	
Intelligent Hydraulics	-	-	-	-	-	-	-	-	-	-	-	-	-	-	-	o	o	o	o	o	s	-	-	o	o	o	o	o	s	o	o	o	o	o	s	



Manitou, as a manufacturer of machines and attachments, is the best placed to guarantee you uncompromising performance and safety.

With Manitou original attachments, enjoy guaranteed site flow and total peace of mind!

Discover all our attachments on manitou.com



CBG MS - Machine-Welded Grab Bucket

- Multi-purpose tool
- Handling of feed, manure and agricultural bulk
- Capacity of 1695 l (bucket closed) for an unrivalled site flow



CBG FO - Forged Grab Bucket

- Precise cutting of silage heaps
- Handling of manure
- Capacity of 1695 l (bucket closed) for an unrivalled site flow



CBA - Agricultural Bucket

- Handling of agricultural bulk: cereals, sugar beet pulp, etc.
- Guaranteed lightness, sturdiness and performance
- 500 HB reversible bolt-on wear plate (LDR) available as option



HBB - Big Bag Handler

- Handles one to four big bags
- Secure handling
- More efficient loading and unloading operations



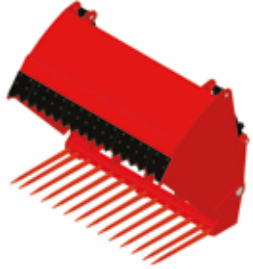
Bale Clamp and Fork

- Square, round or wrapped bales
- Safe and efficient working
- Quality of the bales preserved



FMG - Large-Capacity Manure Fork

- Large capacity
- Handling of straw manure
- Greater performance and flow
- Guaranteed visibility



SHG - Shear Grab

- Perfect cutting of all silage
- Limited refermentation of feed
- Quality and nutritional value of feed preserved

SHB - Shear Grab Bucket

- Perfect cutting of corn or grass silage
- Limited refermentation of feed
- Quality and nutritional value of feed preserved
- A single attachment to handle cereals, mineral supplements, etc.

SCC - Sweeper Cleaner

- Sweeping, gathering or swathing
- A competitive solution offering perfect quality of work
- Light to medium-intensity applications

CBR - Rehandling Bucket

- Handling of heavy materials (max. 2100kg/m³).
- Reinforced structure for greater durability.
- Also available with 500 HB reversible bolt-on wear plate (LDR)



BSB - Sugar Beet Bucket

- Designed for sugar beet and other root vegetables and tubers
- Releases soil and other foreign matter

CGD - Shear Bucket Distributor

- Rapid distribution of silage (or a pre-mixed preparation) to animals
- Maximum efficiency.

CRS - Silage Facer Bucket

- Pick up of heaped silage
- Airing of silage so that it may be consumed directly by the animals
- Clean cutting edge
- Limited refermentation

PFB - Tilting Fork Carriage

- Simple handling solution
- Bolted load backrest available as option
- FEM forks provided as standard; length of forks vary depending on model



Coupling Hooks

All NewAg* machines may be authorised agricultural tractors. This means that you are authorised to use them on the road to tow trailers with assisted braking systems.

Standard coupling hook

Rotating system** for additional safety in case the trailer tips over.

Automatic coupling hook

An effective, easy-to-use solution: you no longer need to get down from the cab to hitch a trailer. Simply reverse the machine until the trailer ring enters the hook: the system locks automatically!

Ladder hitch with wide choice of hooks

(simple, automatic, ball, and fixed eyebolt hooks)
The sliding and locking system of the lever modules makes it extremely simple to use.

Hydraulic hook

The best solution for supports with rings that are close to the ground when unhitched: the hook itself seeks out the ring! Hitch up from inside the cab, without moving or making an effort.

* You can choose each MLT NewAg with or without tractor authorisation.

** Fixed hook for the MLT 733 without tractor certification.

Standard coupling hook



Automatic coupling hook



**RANGE
OF COUPLING
HOOKS**

Ladder hitch with wide choice of hooks



Hydraulic hook





A red tractor is shown in the foreground, pulling a large, round hay bale. The tractor is positioned on the left side of the frame, with its rear wheel and part of the chassis visible. The hay bale is a large, cylindrical stack of golden-brown hay, resting on a field of similar golden-brown wheat. The background shows a vast, flat field of wheat stretching towards a clear, light-colored sky. A thick red curved line is positioned to the left of the main text, partially overlapping the tractor's wheel.

MANITOU IS HERE TO HELP!

To provide you with an operational machine year-round, Manitou offers a wide range of products and services that are suited to all your needs.



Expertise and service on a daily basis

Your Manitou dealer can guarantee a complete range of services at all stages of your machine's life and is there to provide support and meet your needs, always looking to provide you with the best solution.

1,500 dealers at your service

The Manitou network operates in more than 141 countries. In total, there are more than 2,000 expert technicians who are specially trained in Manitou technology and who are at your service to assist with purchasing or after-sales.



■ **Dealership network**

A network of experts at your service, whatever your field (agriculture, construction, industry).

■ **Maintenance contracts**

Three levels of contract that are tailored to your needs: Initial, Advanced and Excellence. Entrust the maintenance of your equipment to your dealer.

■ **Financing**

Hire or purchase? Whatever your business, simplify your investment with Manitou Finance financing or leasing solutions.

■ **Warranty extension**

With Maniplus, you can extend the cover of your Manitou warranty for up to five years.

Use your equipment with peace of mind.

■ **The connected solution**

Easy MANAGER is a simple and flexible tool for managing, optimising and securing the operational monitoring of your machines.

■ **Second-hand products**

Are you looking for a second-hand product? The Manitou dealer network can help. Visit your dealer or manitou.com, the reference site for second-hand Manitou equipment.

■ **Original spare parts**

With more than 70,000 products available, your Manitou dealer provides expertise and service on a daily basis!

REDUCE

The Manitou Group's vision

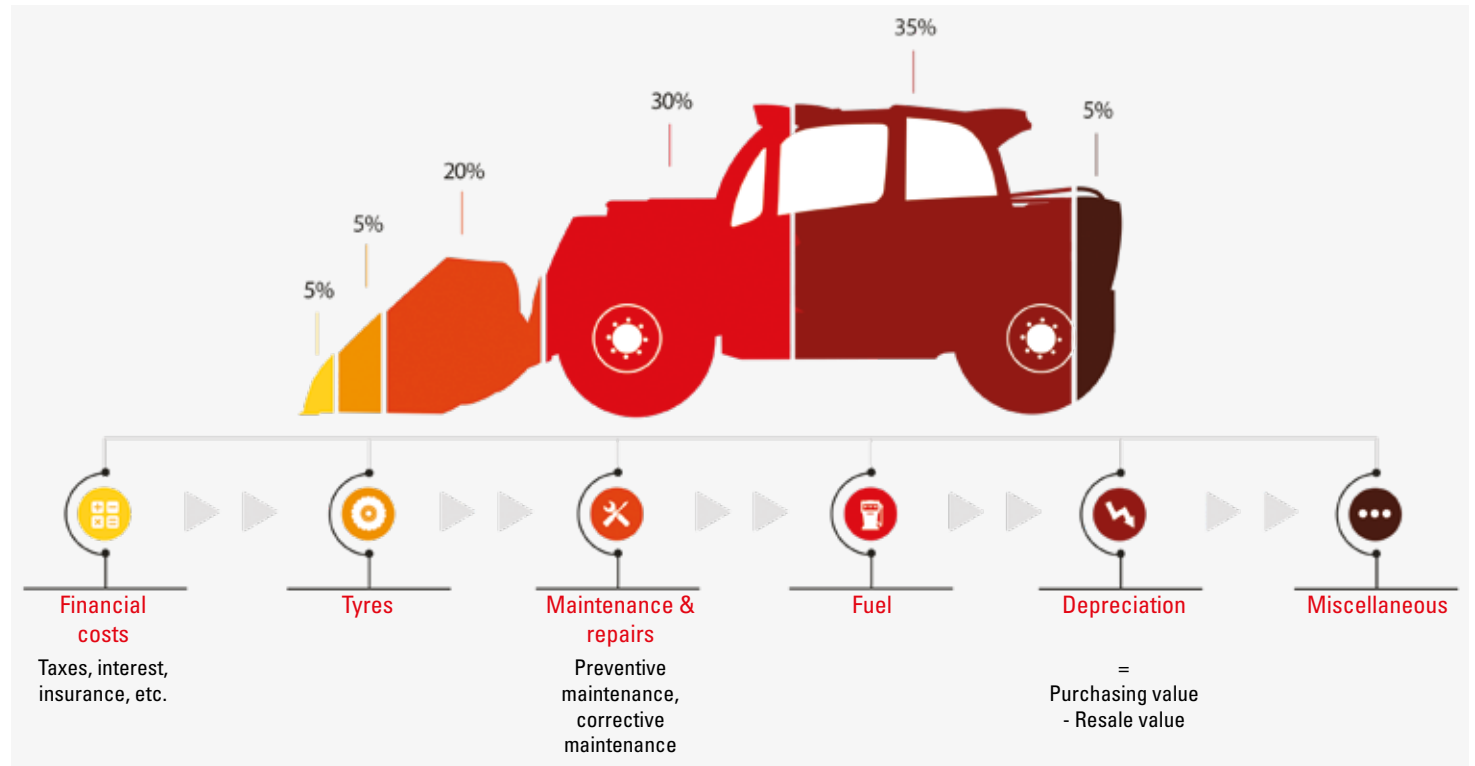
The REDUCE approach aims to improve our machine users' quality of life at work, whilst enhancing productivity and protecting the environment. This means transparency regarding fuel consumption data, reducing emissions, raising awareness of total cost of ownership (TCO), and putting a greater emphasis on the health and safety of operators.

Do you know the real cost of ownership of your equipment?

REDUCE TCO (Total Cost of Ownership) gives you a detailed breakdown of costs for your machine and helps you to optimise the profitability of your production tool.



Calculate your TCO on tco.manitou.com



What does TCO stand for?

The TCO is the total cost of ownership of an asset, more commonly known as the user cost. This indicator takes into consideration fixed costs (such as acquisition, interest, rent and residual value) and also variable costs linked to the use of your machine (such as maintenance and operator training).



Do you know how much your machine consumes?

Unlike the automobile sector, the handling machine sector does not yet have a standard rating system. We have therefore created a clear internal protocol enabling us to compare our machines' fuel consumption measurements. In order to provide you with clear, reliable and transparent information, this data has been verified by a recognised organisation.



REDUCE Fuel Eco-Program responsibly informs you on the fuel consumption and CO₂ emissions of our de MLT and MT machines, as well as our platforms.



Calculate your fuel consumption on
reduce.manitou.com

Your dealer:



Head office

B.P. 249 - 430 rue de l'Aubinière - 44158 Ancenis Cedex - France

Tel.: 00 33 (0)2 40 09 10 11 - Fax: 00 33 (0)2 40 09 10 97



This publication provides a description of the configuration versions and options for Manitou products, which may differ according to the equipment. The equipment presented in this brochure may be part of a series, optional or unavailable, depending on the versions. Manitou reserves the right, at any time and without notice, to amend the specifications described and presented. The specifications provided are not binding on the manufacturer. For more details, please contact your Manitou agent. This is not a contractually binding document. The presentation of the products is not contractually binding. The list of specifications is not exhaustive. The logos, as well as the visual identity of the company, are owned by Manitou and cannot be used without authorisation. All rights reserved. The photos and diagrams contained in this brochure are only provided for consultation and information purposes. Manitou BFA - Limited company with board of directors - Share capital: 39,547,824 Euros - 857 802 508 RCS Nantes